

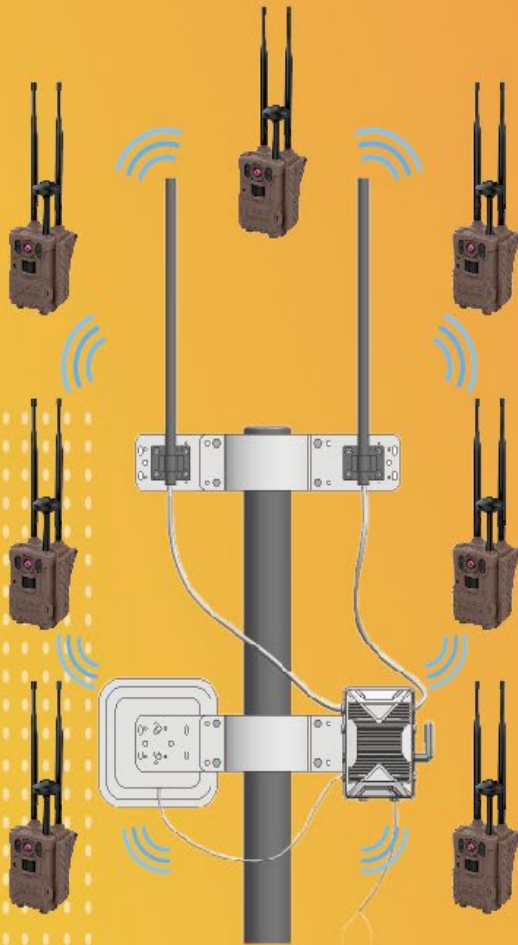
LinkEye Private Network Camera System 2.4Ghz

April, 2024



LinkEye Private Network Camera System

Up to 16 slave cameras | Line-of-sight >5km, Mountain forest 1~3km | Transmission data rate: 30Mbps





Wireless LinkEye Network Applications

To meet the demands for the places without signal coverage

*National Borders

*Customs Protection

*Prisons and detention centers

*Large-scale Project security

*Critical facilities security





Wireless LinkEye Network Applications

To meet the demands for the places without signal coverage

- *Farm, dams monitoring
- *Anti-poaching
- *Researchers world wide
- *Wildlife protection organization
- *For biodiversity research



Wireless LinkEye network is of great significance, and can easily meet the demands for the areas that without tele-operator's network.



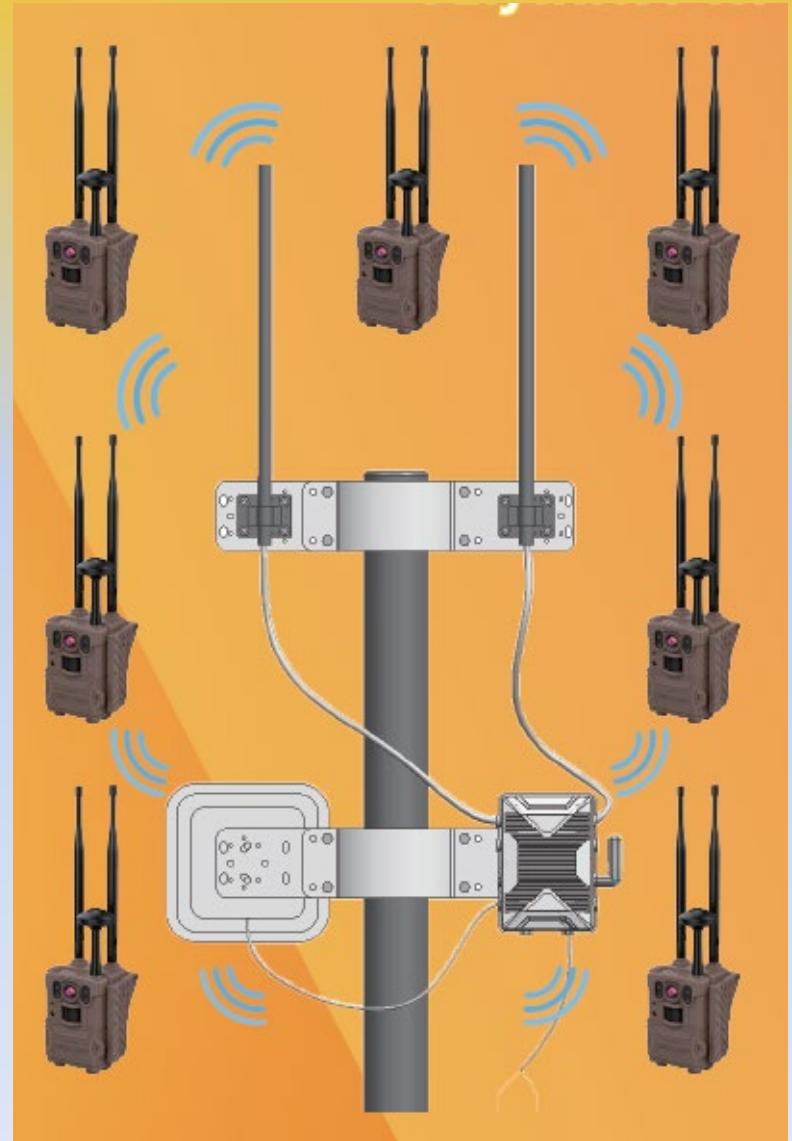
Wireless LinkEye Network

Core Parts that included in the Network:

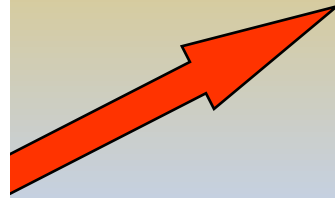
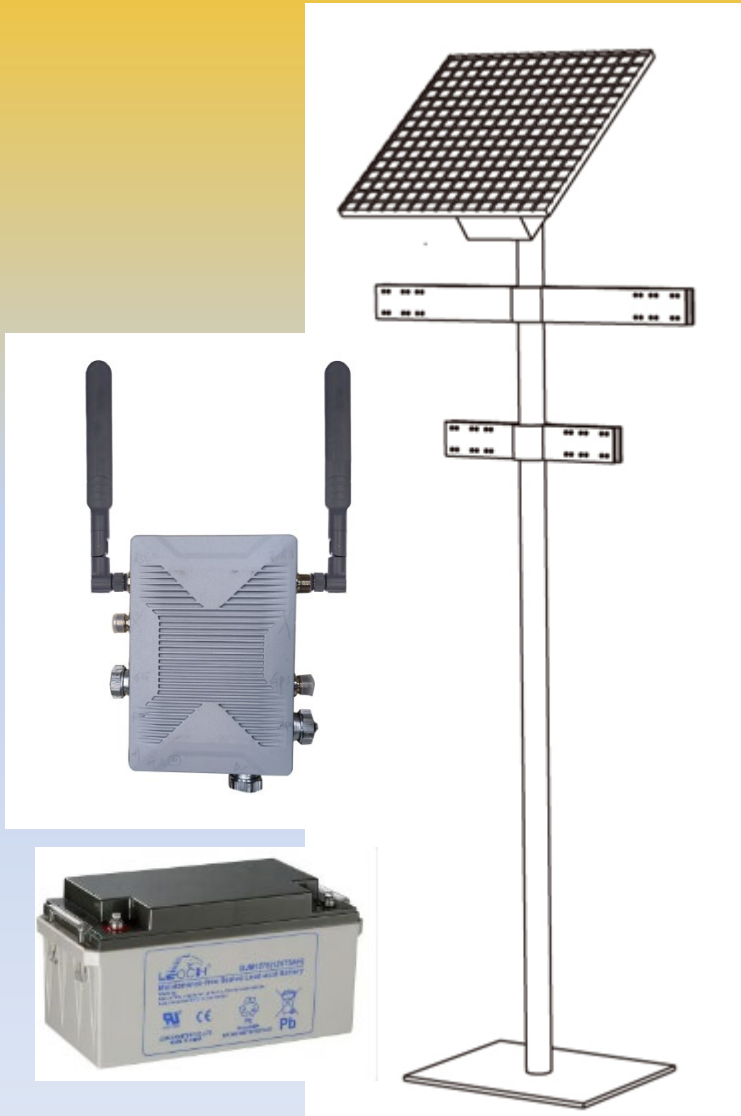
- ▲ Slave cameras (Up to 16, with fast broadband, big distance, strong diffraction module).
- ▲ Base station (with fast broad band, big distance, strong diffraction module and mini processing server).
- ▲ Control center/Data collect center.
- ▲ Power system to power the Base Station.
- ▲ Expandable devices optional (Environmental factor collectors, handy controller, walkie-talkie etc.,) . *

Features of LinkEye System:

- ✓ Up to 16 slave cameras
- ✓ Line-of-sight >5km,
Mountain forest 1~3km
- ✓ Transmission data rate:
30Mbps



Power Support for the Base Station



- ▲ Solar panel to charge the battery
- ▲ High gain antennas (12dbi)

Base Station



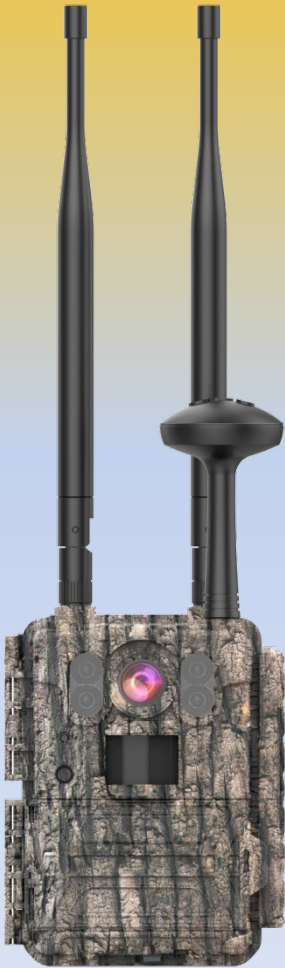


Outstanding Features of the Base Station

- ▲ Support frequency hopping to avoid the same frequency interference
- ▲ Dual antenna
- ▲ Line-of-sight >5km, mountain forest 1 ~ 3km
- ▲ The maximum number of slave cameras up to 16
- ▲ Transmission up to 30Mbps, allows original video
- ▲ Automatically saves infrared camera data when the backbone network get interrupted or the speed is slow, and upload data when the network is restored
- ▲ Multi-interface compatible (input and output), network port
- ▲ OTA remote upgrade *
- ▲ View device status and configure parameters via web UI
- ▲ 6-18V wide range power supply
- ▲ Multiple lightning protection
- ▲ Automatic GPS positioning and timing
- ▲ Operating temperature -40°c to $+80^{\circ}\text{c}$, max. humidity 98%
- ▲ Multi work-time settings to save power
- ▲ 256G storage space
- ▲ IP67

(The * features will be finished in next version)

Slave camera





Outstanding Features of the Slave Cameras

- ▲ Built-in 2.4GHz module
- ▲ Transmission speed up to 30Mbps
- ▲ Capable of uploading original photos, original video, compressed video, thumbnails
- ▲ Dual antenna
- ▲ Support frequency hopping, avoid the same frequency interference
- ▲ GPS automatic positioning and timing *
- ▲ 3K (2560*1920) audio +video, picture 32MP
- ▲ 2.0''HD screen, easy to view the monitoring area when installing
- ▲ 0.6s Trigger speed
- ▲ Intelligent image, automatically adjust the lightness according the distance of the objects.
- ▲ Easier battery replacement
- ▲ Two position switch, automatically enter into the monitoring mode even if no operation



Outstanding Features of the Slave Cameras

- ▲ Compatible with 7.5Ah@12V battery pack, solar charging
- ▲ Photo, video, photo + video
- ▲ IP68, super durability
- ▲ Lens F=1.6, FOV=65 degrees
- ▲ Ultra-low power consumption, 100ua-200ua standby current.
- ▲ 4 high-efficiency IR lights, 940nm/850nm/white light LED optional
- ▲ PIR sensitivity: high, normal, low
- ▲ Integrated, highly stable IR-CUT, enhanced day and night image quality
- ▲ 512GB SD compatible
- ▲ HQ audio recording, -38dB sensitivity MIC
- ▲ Rich photo information display, including the date, time, temperature, moon phase, device name, latitude and longitude etc.
- ▲ Compact size: 135*108*96mm
- ▲ Operating temperature -40°C to +80°C

- 13+ years of experience in hunting camera industry
- Excellent R & D team and Know-how in image processing, communication, leading optical technology
- Flexible business approach supports custom customization
- Strict quality control and stable supply system
- Flexible and fast after-sale service

A large buck with impressive antlers is shown in profile, facing right. The antlers are dark and have several points. The buck is standing in a field of tall, dry grass. The background is a blurred forest.

THANK YOU